



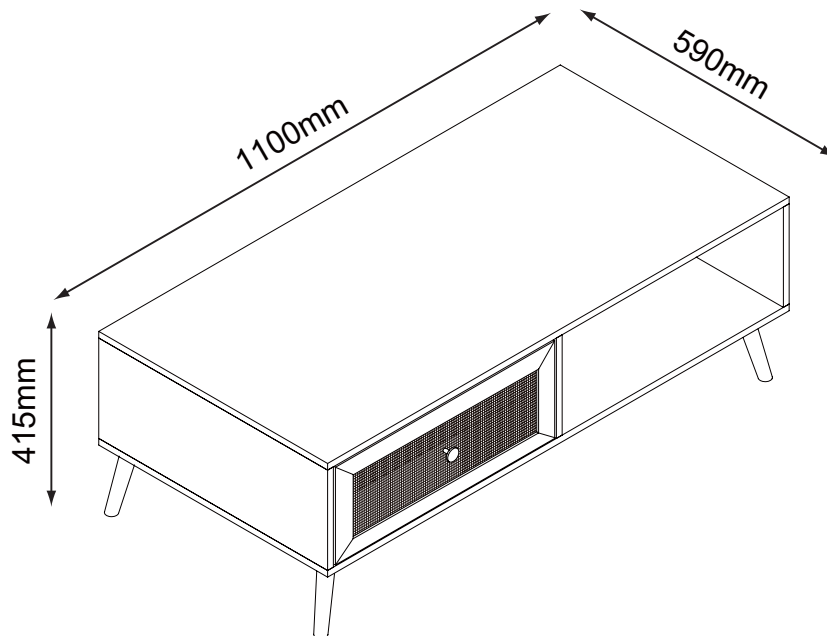
## ASSEMBLY INSTRUCTION

### KALISTA COFFEE TABLE

ITEM CODE 70233

Imported by Amart Furniture Pty Ltd, Qld, Brisbane Australia.

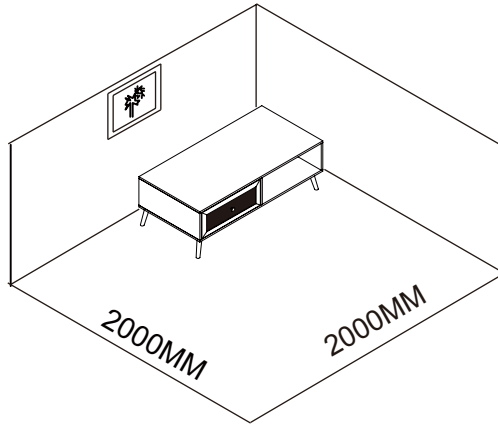
For any assistance with assembly or for missing parts please phone Amart Furniture, Customer Service Free call 1800 351 084



Imported by Amart Furniture Pty Ltd, Qld, Brisbane Australia.

For any assistance with assembly or for missing parts please phone Amart Furniture, Customer Service Free call 1800 351 084





ALLOW 30 MINUTES	PEOPLE REQUIRED
ADDITIONAL TOOLS REQUIRED	

! TIPPING WARNING !

**Serious or fatal injuries may occur from furniture toppling over. To help avoid this please follow the below recommendations:**

- Install the provided "Tipping Kit" as per the instructions
- Never allow children to climb on or hang off of any part of this product
- Unless specifically designed to accommodate, do not set TVs or other heavy objects on top of this product

If this product has drawers:

- Place the heaviest items in lowest drawers
- Do not open more than 1 drawer at a time as this may cause the product to become unbalanced
- Do not tamper with or remove any drawer interlocking/running system

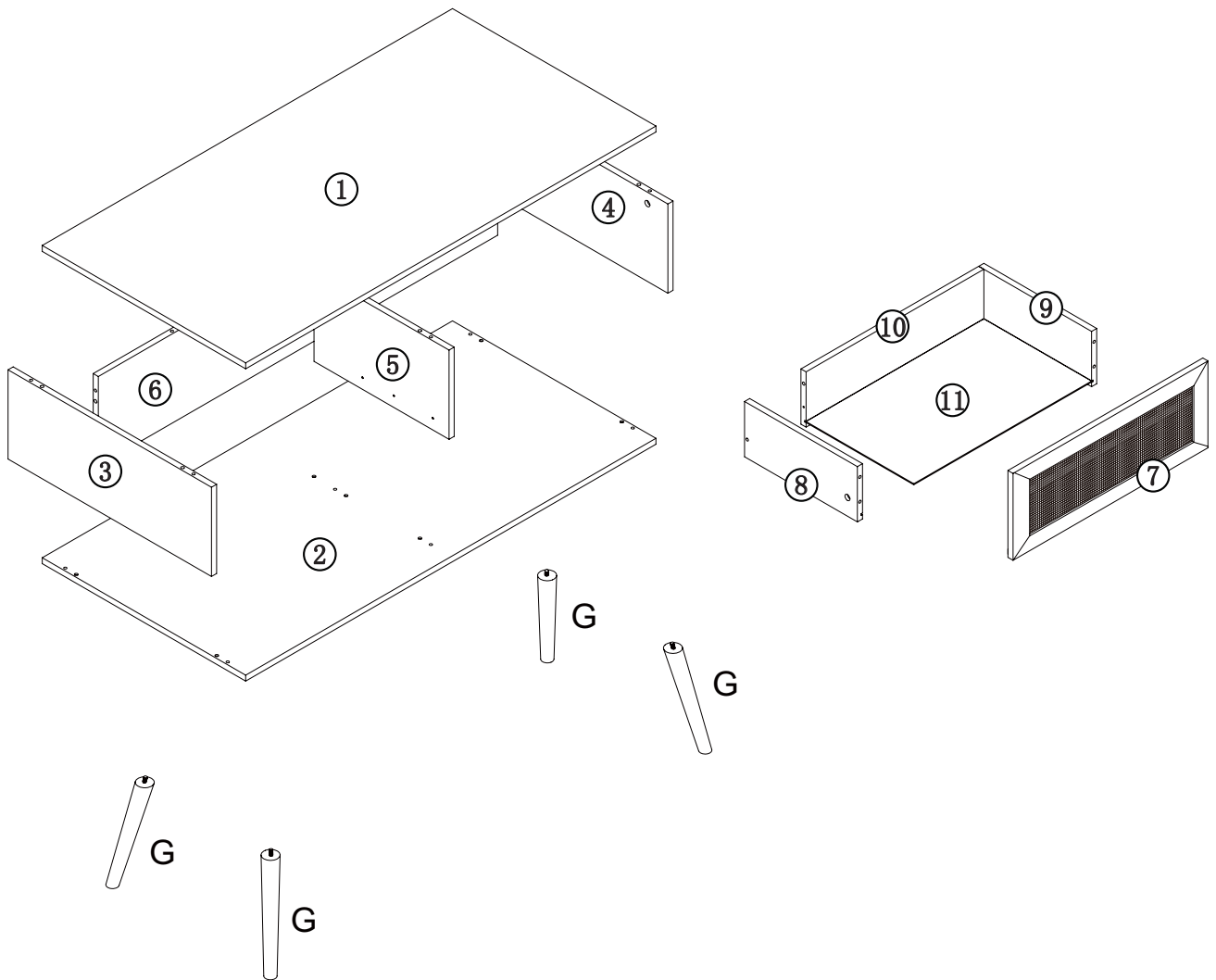
**Note: The use of the provided "Tipping Kit" may reduce but not necessarily eliminate the risk of furniture toppling over. Please use this product with caution.**

*This is a permanent label. Do not attempt to remove!*

**Assembly is to be carried out by a competent adult only.**  
**During assembly children should be kept away from the product due to possible risk of injury.**  
**Do not use this item if any components are missing or damaged.**  
**Please keep these instructions for future reference.**



# EXPLODED EXAMPLE










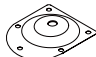

# CHECKLIST




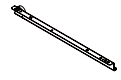
Before you start.....


1. Choose a clean, level, spacious assembly area. Avoid hard surfaces that may damage the product.
2. Check and ensure that you have all required contents for complete assembly.
3. Always read the assembly instructions carefully before beginning assembly.
4. The packaging and contents can be a choking hazard. Please keep out of reach of small children at all times.
5. Do not over tighten the bolts as this may damage the thread.



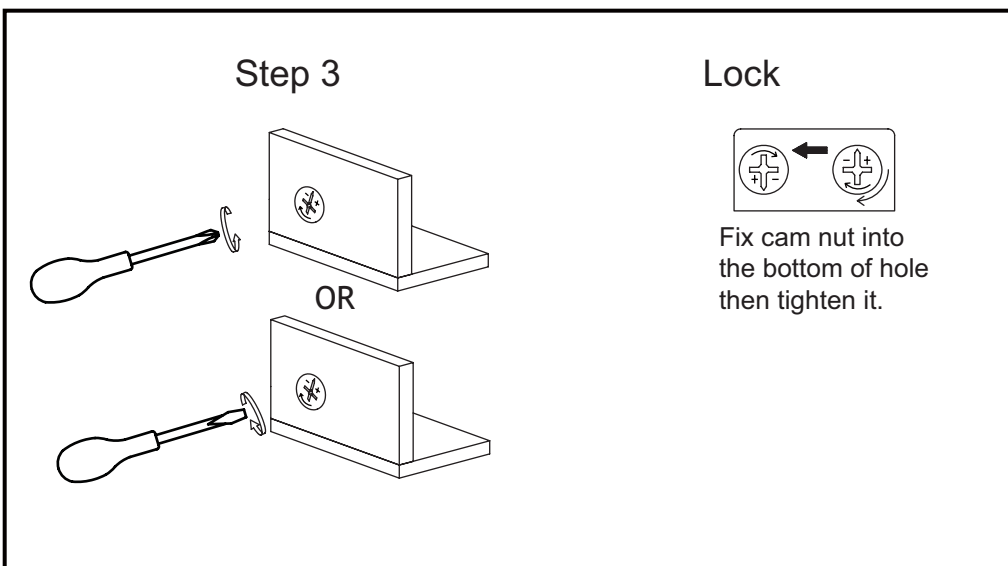
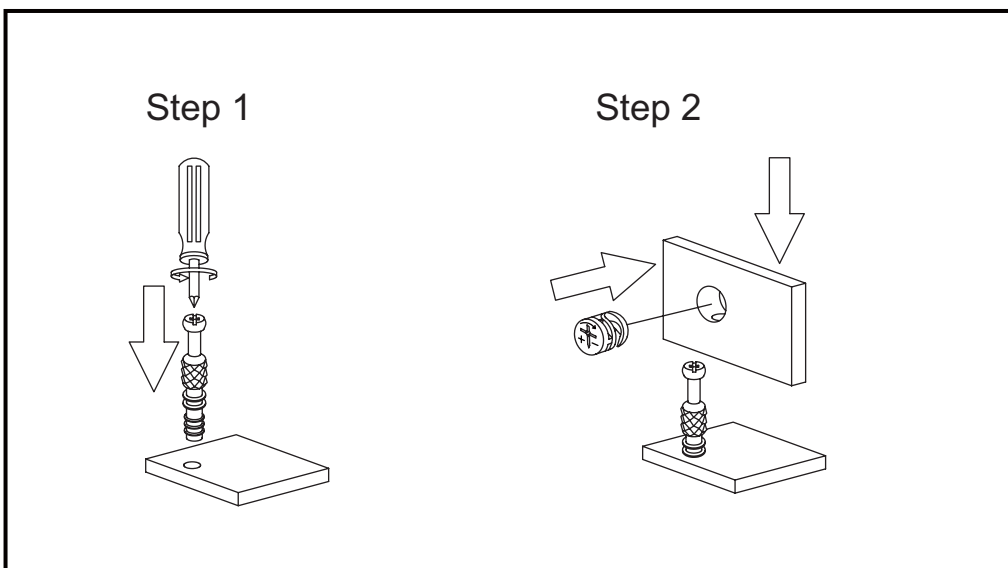
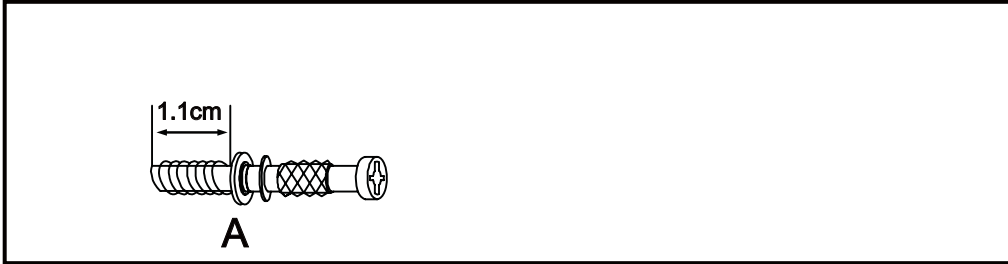
<b>A</b> <input type="checkbox"/> cam pin  M7x39mm 10xA	<b>B</b> <input type="checkbox"/> cam lock  10xB	<b>C</b> <input type="checkbox"/> dowel  M8x30mm 18xC	<b>D</b> <input type="checkbox"/> screw  M3.5x14mm 12xD	<b>E</b> <input type="checkbox"/> screw  M4x14mm 20xE
--	--	--	--	--

<b>F</b> <input type="checkbox"/> screw  M5x40mm 10xF	<b>G</b> <input type="checkbox"/>  4xG	<b>H</b> <input type="checkbox"/>  4xH	<b>I</b> <input type="checkbox"/> handle  1xI
--	---	---	---

<b>J</b> <input type="checkbox"/> wall fixing  M4x30mm M3.5x14mm 1xJ	<b>CL</b> <input type="checkbox"/> runner  300mm 1 xCL	<b>CR</b> <input type="checkbox"/> runner  300mm 1xCR	<b>DL</b> <input type="checkbox"/> runner  300mm 1xDL
---	---	--	--

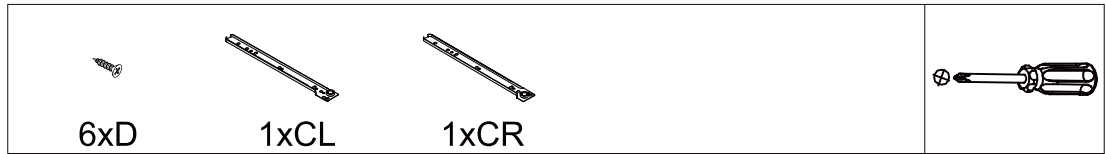
<b>DR</b> <input type="checkbox"/> runner  300mm 1xDR
--

# CAM LOCK INSTALL METHOD AS FOLLOWS

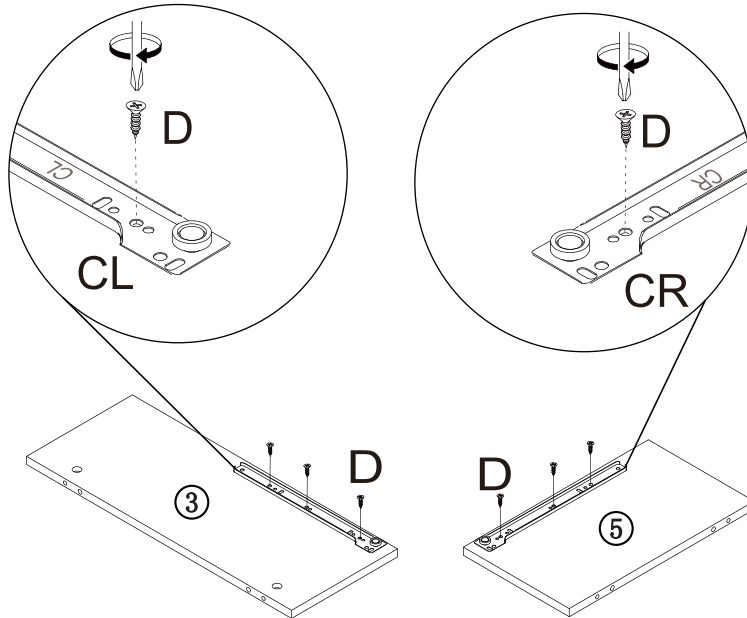


<b>PART NUMBER</b>	<b>QTY</b>	<b>DIMENSIONS (MM)</b>
1	1	1100x590x15
2	1	1100x590x15
3	1	586x175x15
4	1	586x175x15
5	1	360x175x15
6	1	1067x175x15
7	1	520x169x15
8	1	330x110x15
9	1	330x110x15
10	1	471x110x15
11	1	479x322x2.7

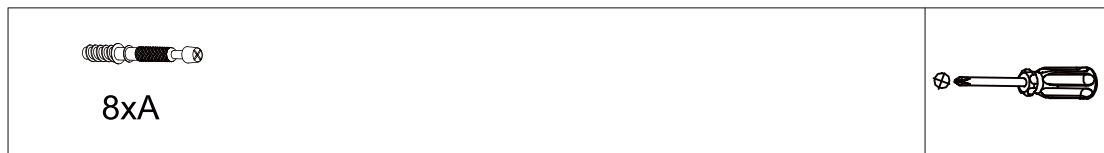
# 1



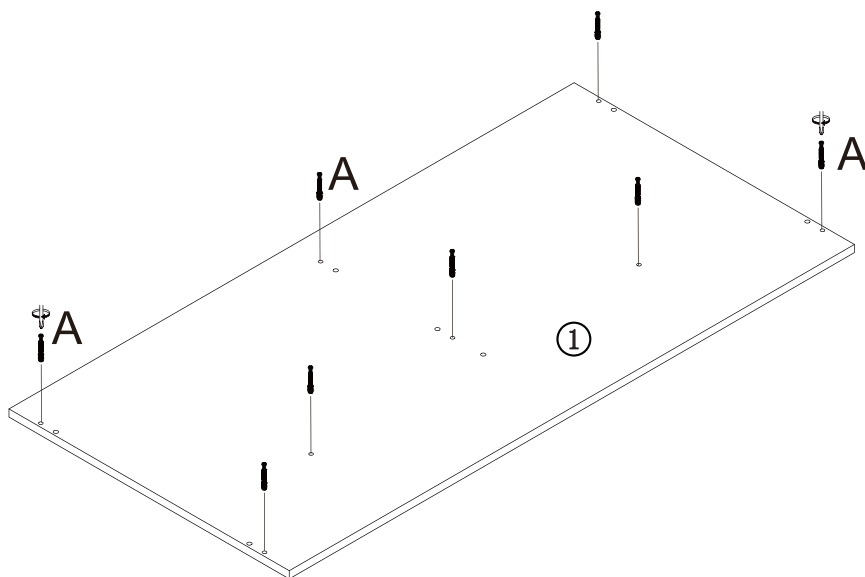
STEP 1: Fix runners (CL)&(CR) to panels(3)&(5) using screws(D).



# 2



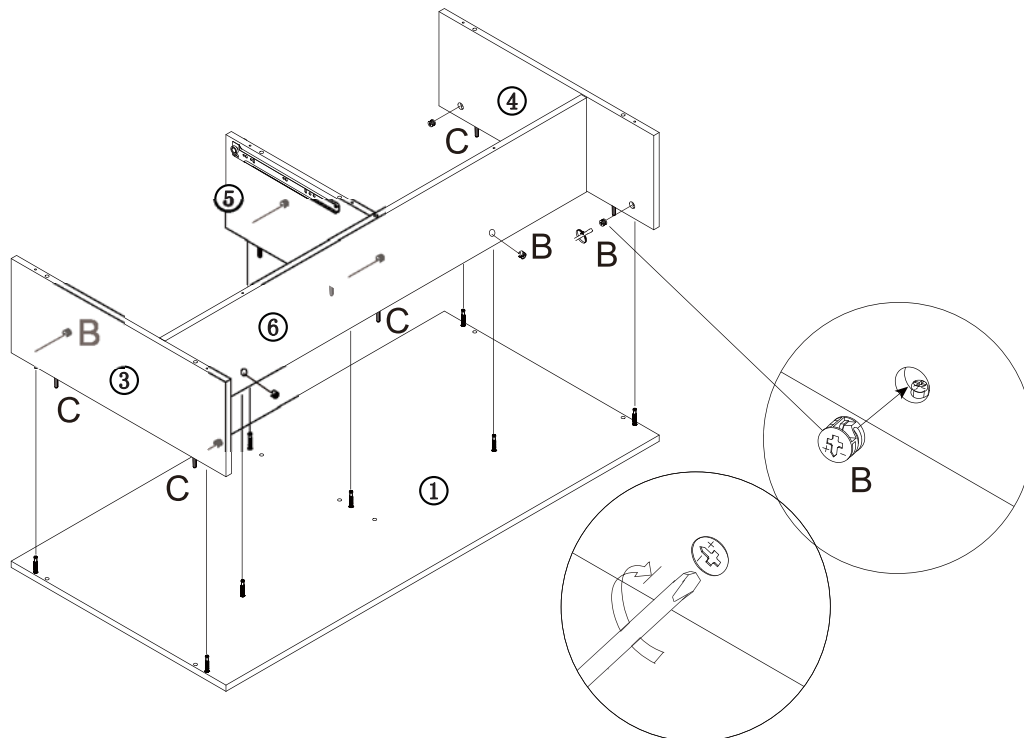
STEP 2 : Fix cam pin(A) to panel(1).



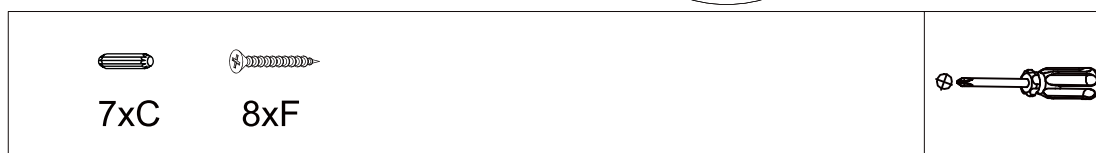
# 3



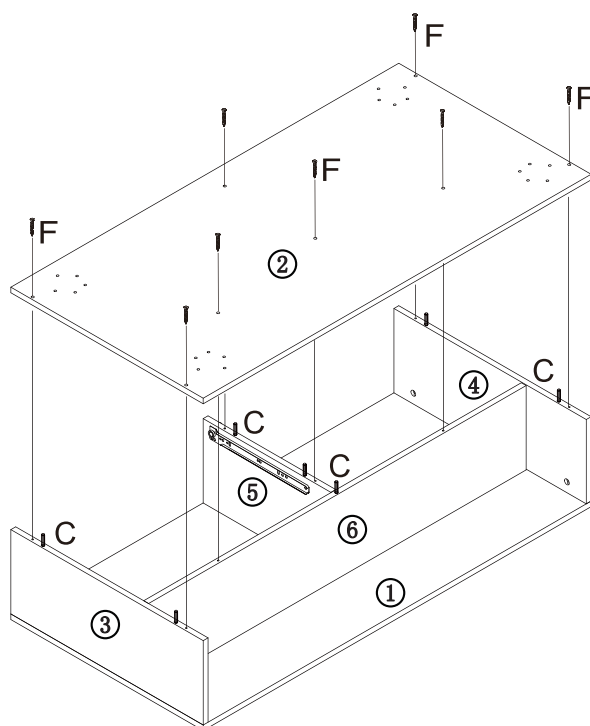
STEP 3 : Attach panels(3)(4)(5)(6) to panel (1) with dowel(C) and cam lock parts.



# 4



STEP 4 : Attach panel(2) to the body with dowel(C) and screws(F).

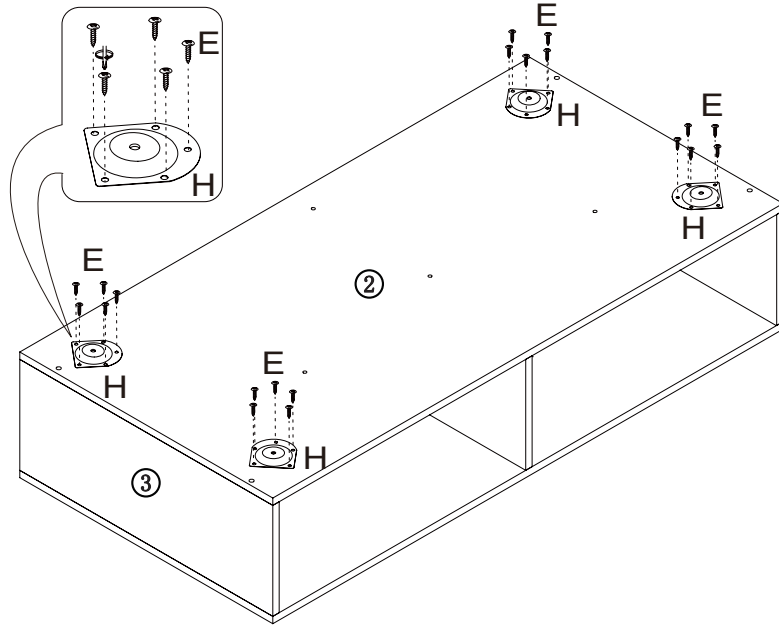




# 5



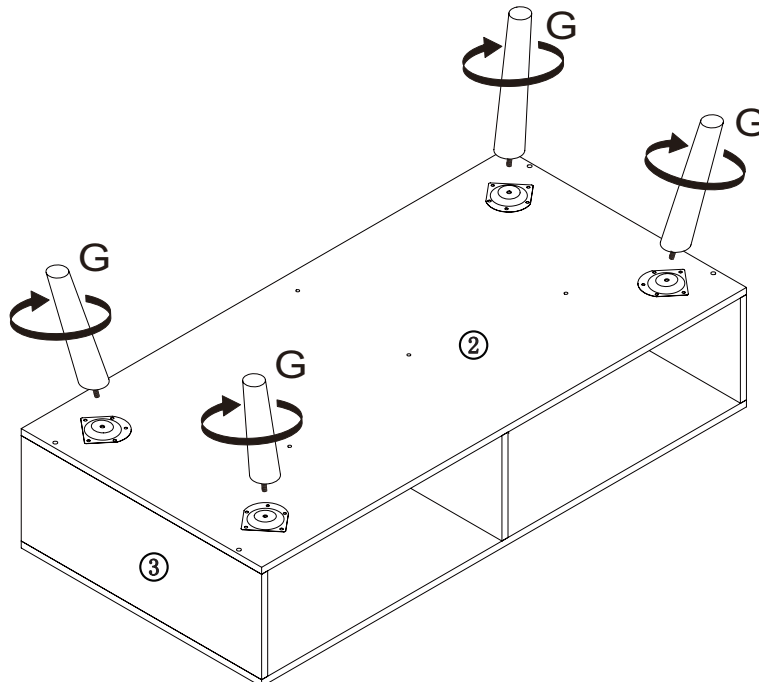
STEP 5 : Fix metal plates(H) to panel(2) with screws(E).



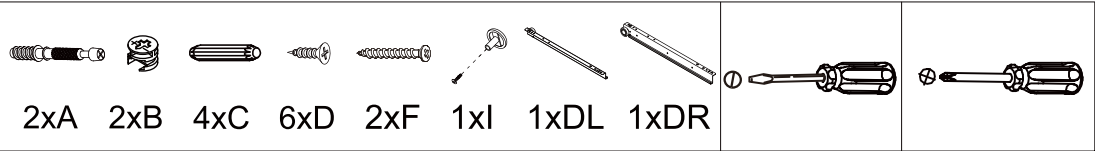
# 6



STEP 6 : Fix legs(G) to metal plates .

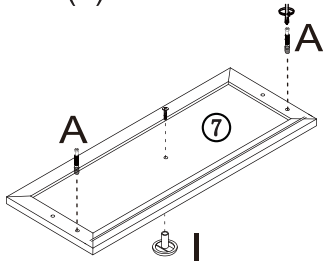


# 7

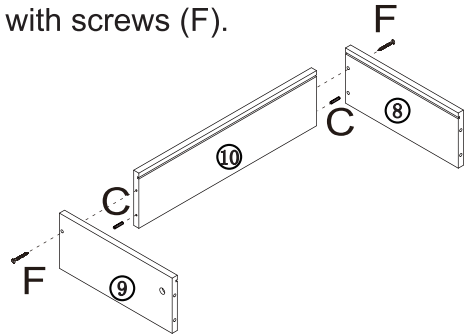


STEP 7: Install drawers as shown in diagram.

1A: Fix cam lock (A) and handle (I) to drawer (7).

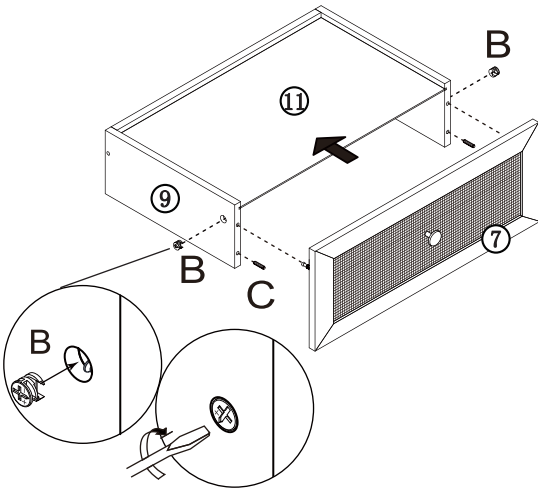


2: Join side panels (8)(9) and back panel (10) with screws (F).

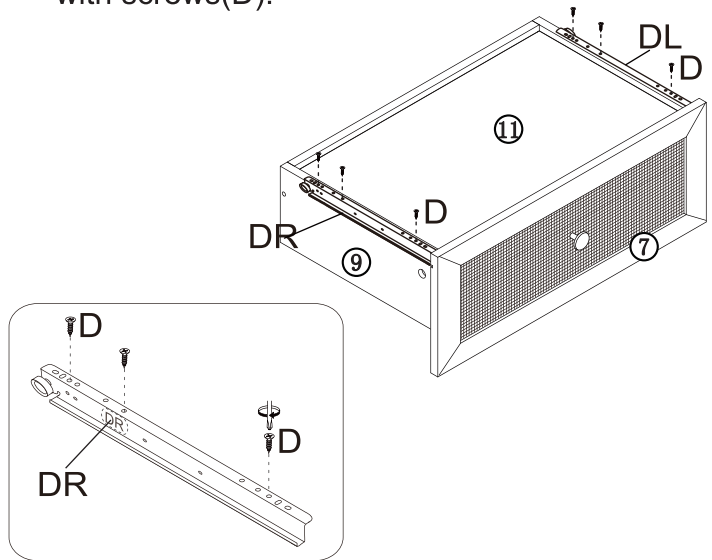


3A: Put bottom panel (11) into groove of panel (9)(8) and (10).

3B: Attach drawer front (7) to the drawer with cam lock (B).

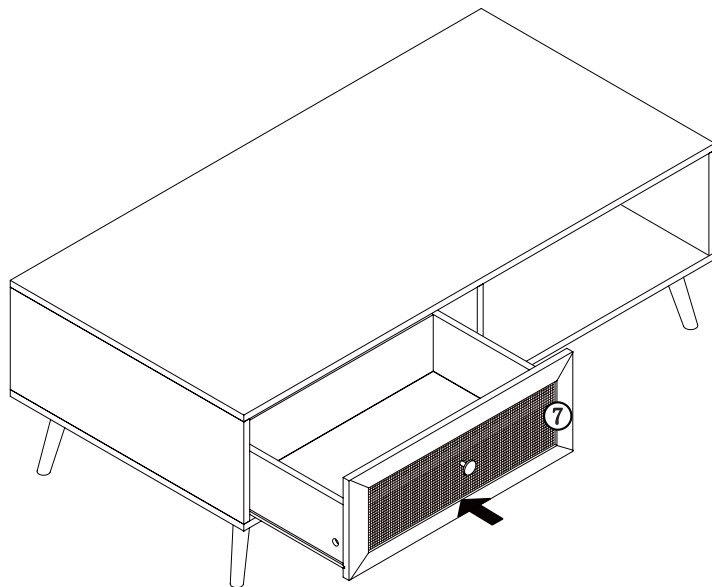


4: Install runner (DR)(DL) to the bottom of drawer with screws (D).



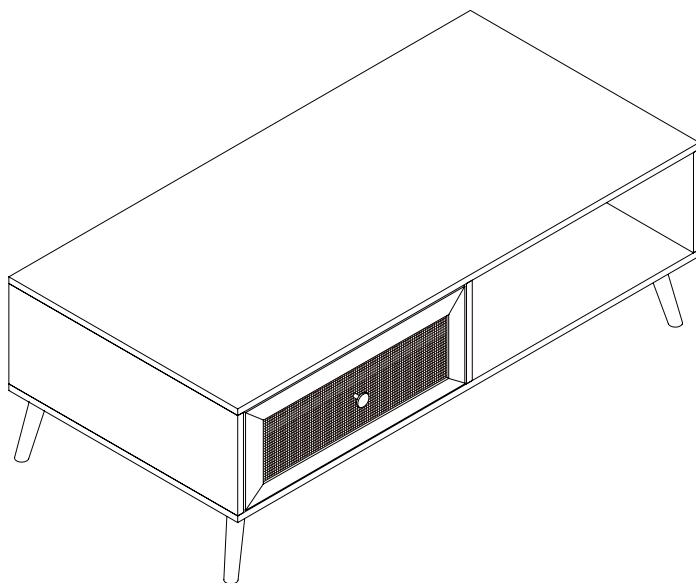
# 8

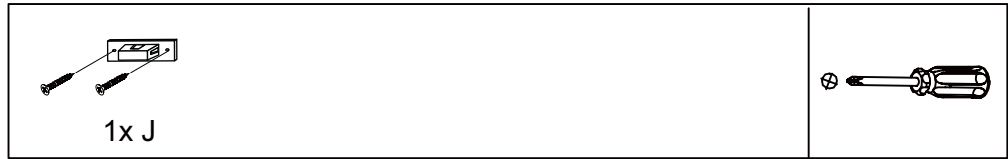
STEP 8: Assemble drawer to the body.



# 9

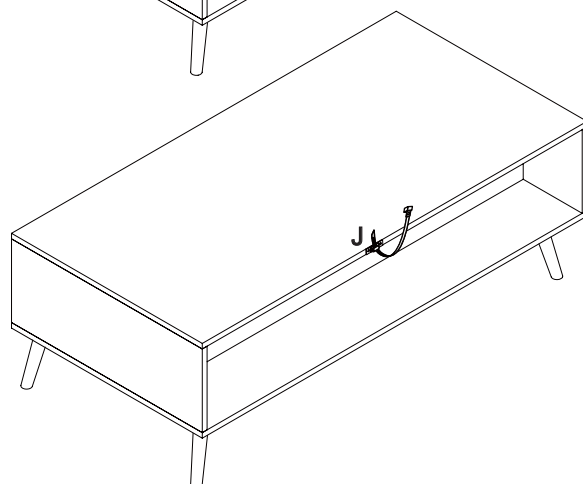
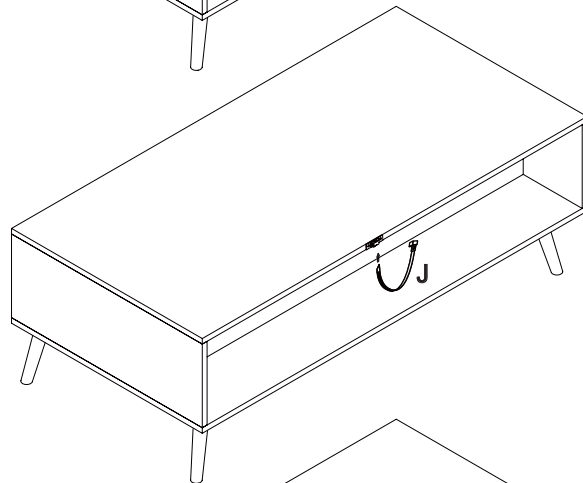
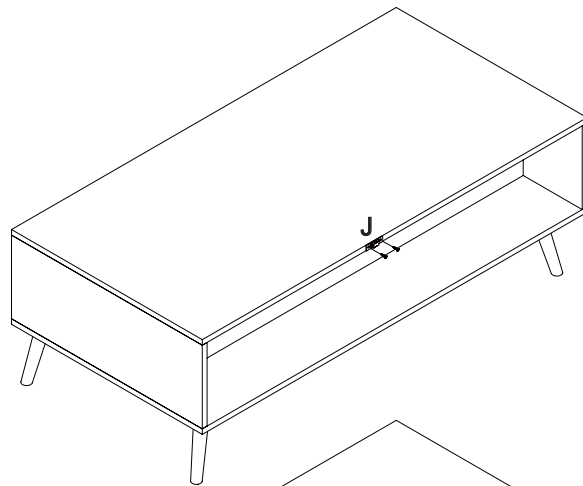
ASSEMBLY COMPLETE.

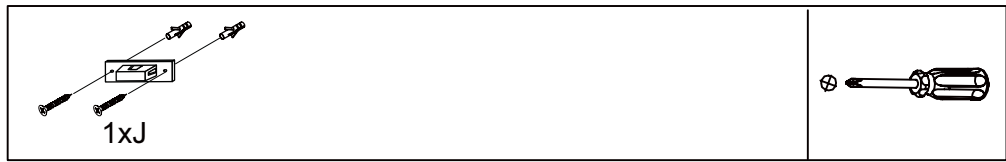




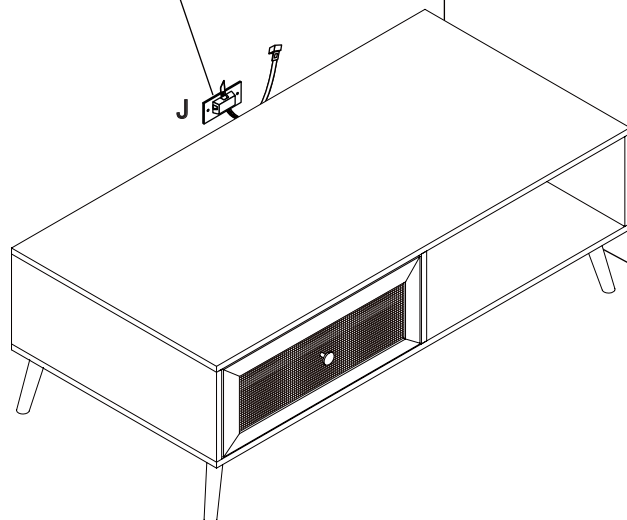
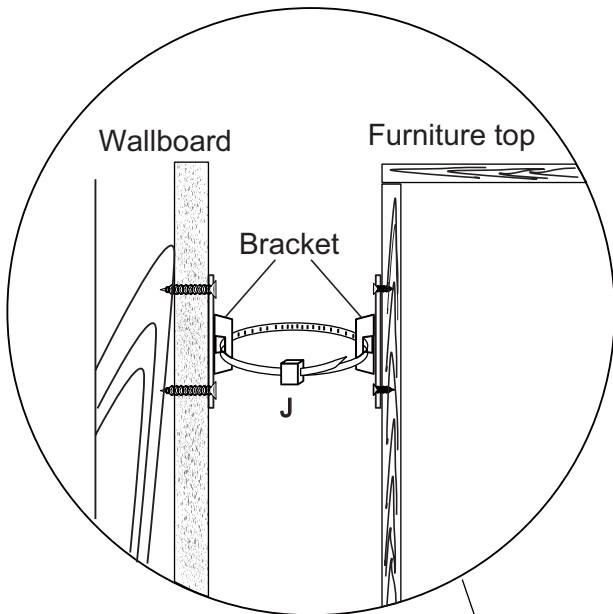
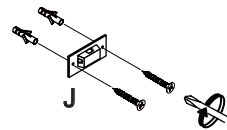
**STEP 1: Fix bracket to back panel using screws M3.5\*14MM .  
Put plastic tie into bracket.**

**NOTE - This product must be fixed to a wall. Please ensure the correct wall fixings are used. Failure to do so may result in personal injury or cause property damage if the product topples over. Please note that the screws are only suitable for plasterboard wall materials, please contact local hardware store for corresponding screws for other wall materials.**





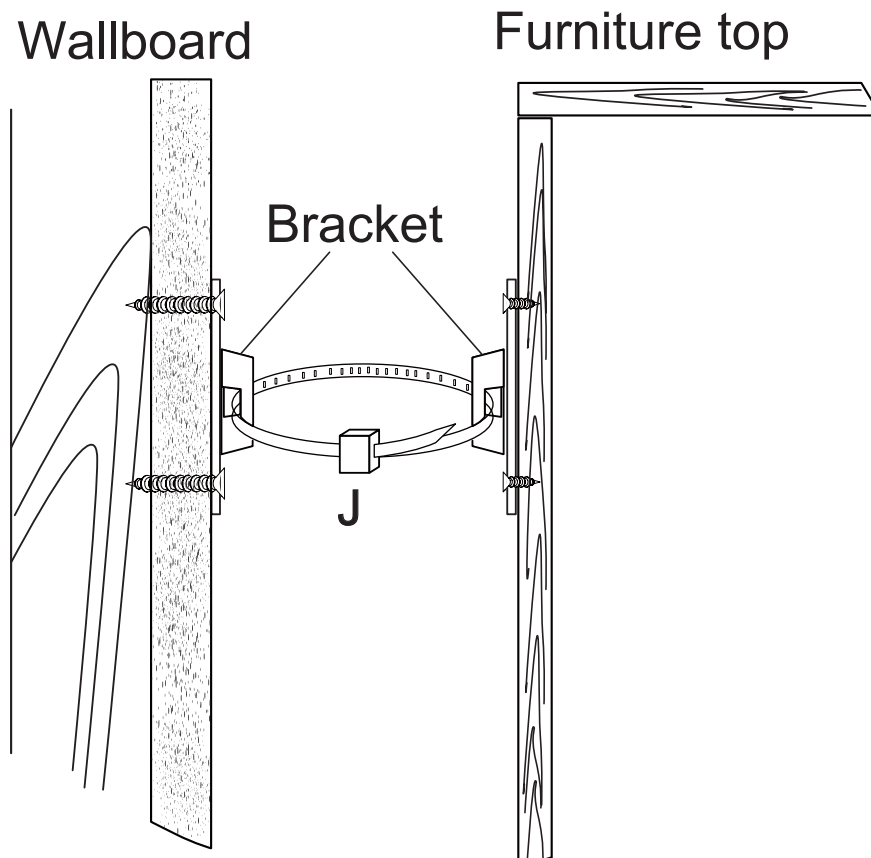
STEP 2: Fix bracket onto the wall using screws M4\*30MM.  
Join wallboard and the furniture with plastic tie.





## SAFETY BRACKETS INSTRUCTIONS

1. Attach a bracket to the wallboard with the long screws provided.
2. Attach a bracket to the furniture frame under the top with the short screws provided.
3. Move the furniture into its final position. Thread a strap through the bracket as shown in the illustration, tighten strap until snug. Do not over tighten.
4. Make sure the bracket is firmly attached to the wallboard and furniture, and the strap is snug.



## **PRODUCT CARE:**

To protect your furniture, we suggest the following:

\*Avoid placing your furniture in direct sunlight.

\*Do not place furniture directly under windows.

\*Do not place sharp materials(knife, fork, etc) directly onto your furniture as sharp material may scrape and damage the finish.

Do not place material with high temperature directly onto the surface of your furniture.

\*Protective padding is strongly recommended when using your furniture .

\*Clean up spills quickly. Water left over a prolonged period of time may cause damage. Alcohol, perfume, nail polishes, aftershave and some medication may cause severe finish damage if not cleaned immediately.

\*Use a clean, soft, dry, lint free absorbant cloth to clean your furniture. Do not use any detergent as they may contain ingredients that may react and damage the finish.